

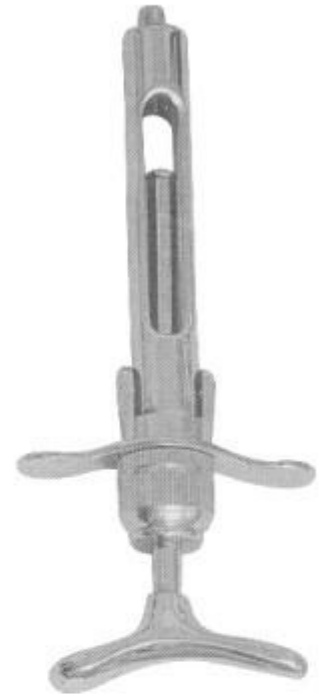
Syringes, Rulers, Band Adaptor, Position Gauge



2300
Aspirating Syringe



2301
Position Gauge



2302
Breech Loading Syringe



2303
Aspirating & Breech Syringe



2304
Band Adaptor

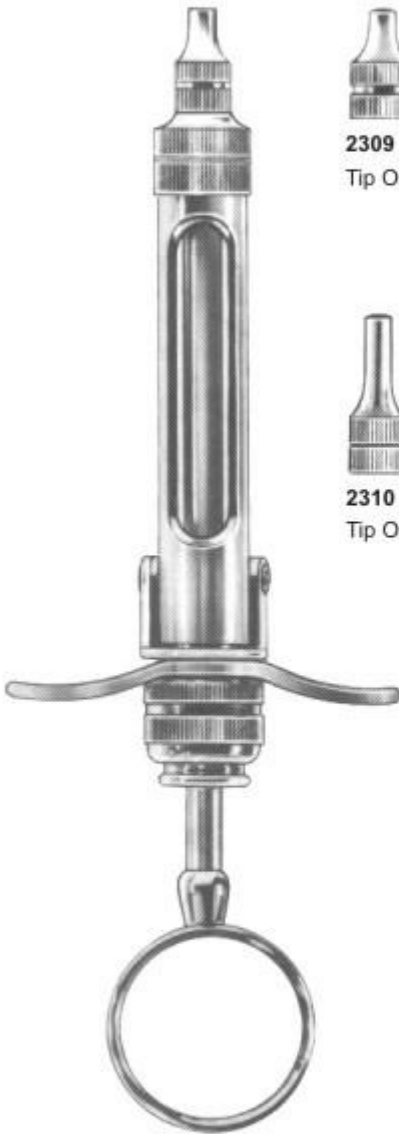


2305
Endo Finger Ruler
With Adjustable Slide



2306
Aspirating Syringe

Cartridge / Water Syringes



2307 1,8 ml
2308 2,2 ml
 Cartridge Syringe complete
 With 2 tips and without needles



2309
 Tip Only, short



2310
 Tip Only, long



2311
 Water Syringe complete with
 1 cannula (Lure-Lock)



2312
 Metal water syringe, self-filling,
 with 1 cannula (Lure-Lock)



2313
 Sparrel Barrel with
 plunger suitable for
 syringes



2314
 Cannula, only, with
 Luer-Lock connector
 suitable for syringes