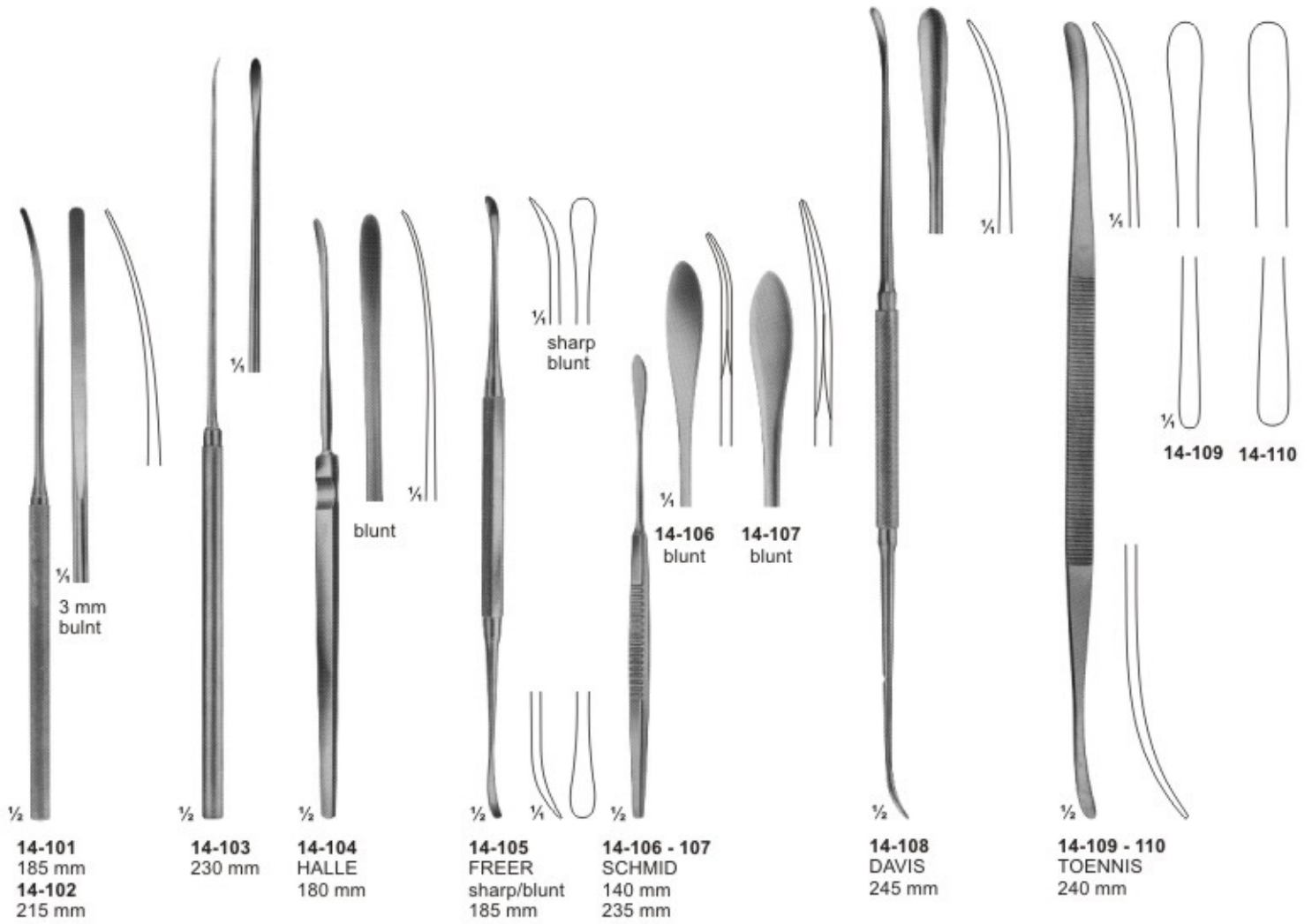
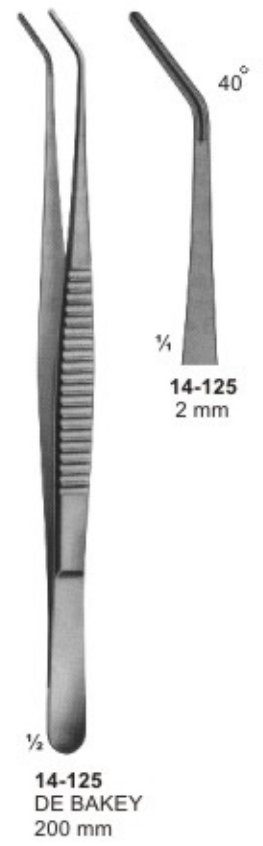
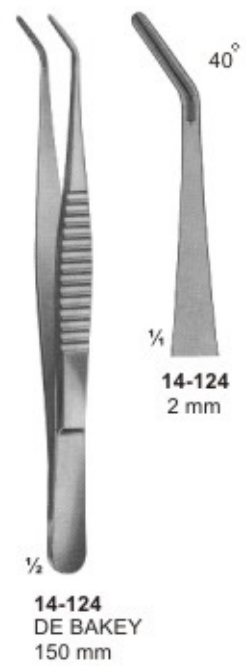
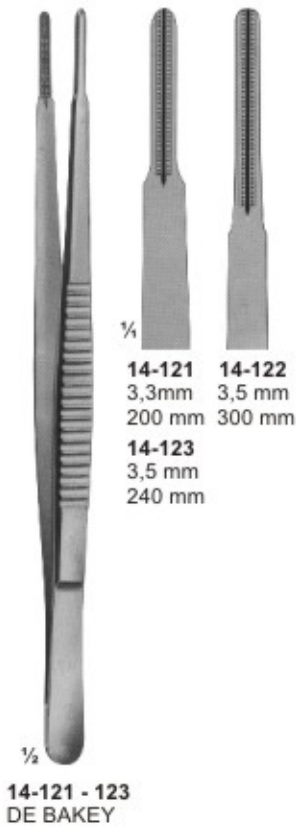
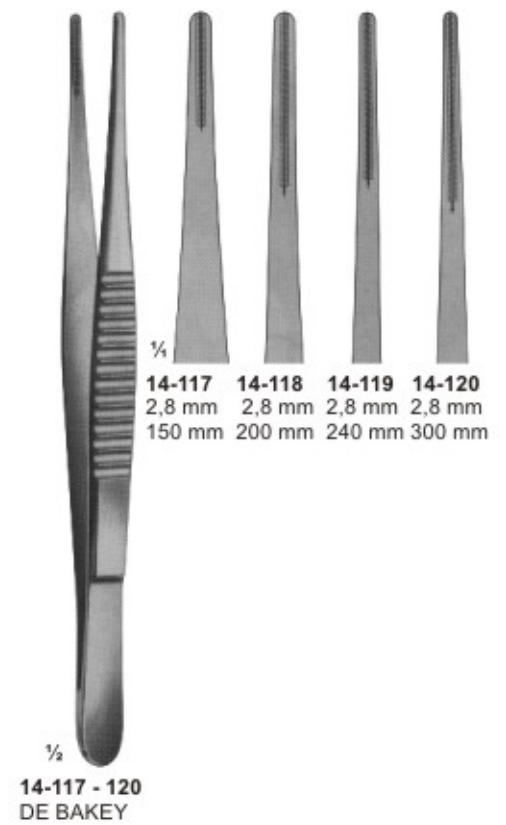
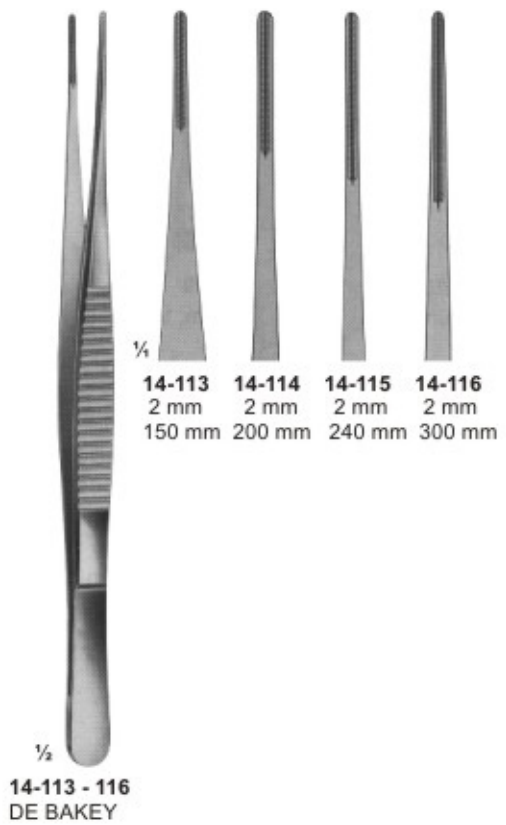
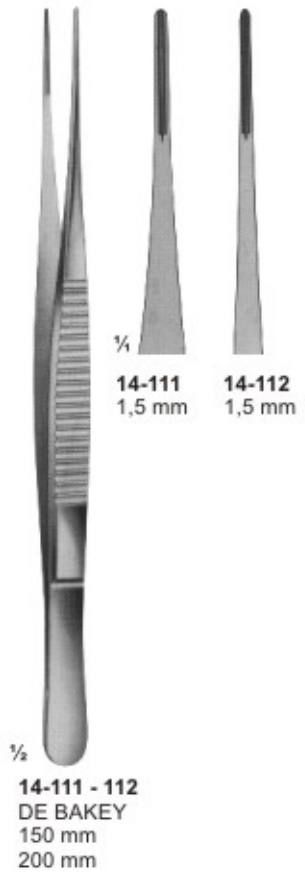


# Vascular Spatulas GefaBspatel

---



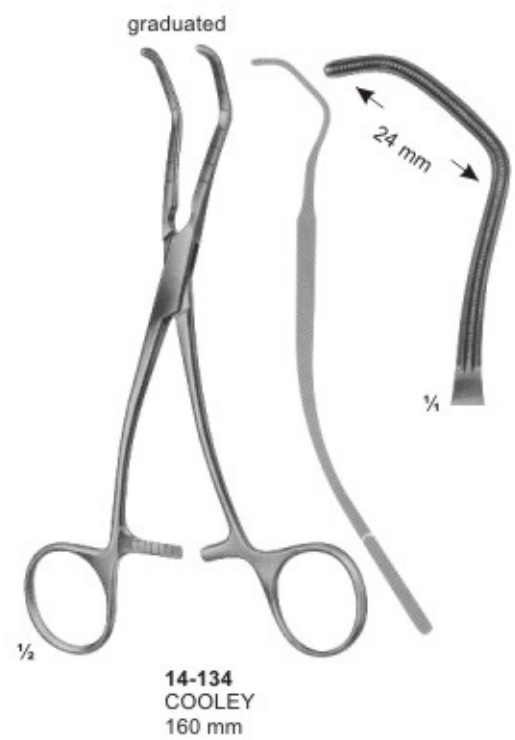
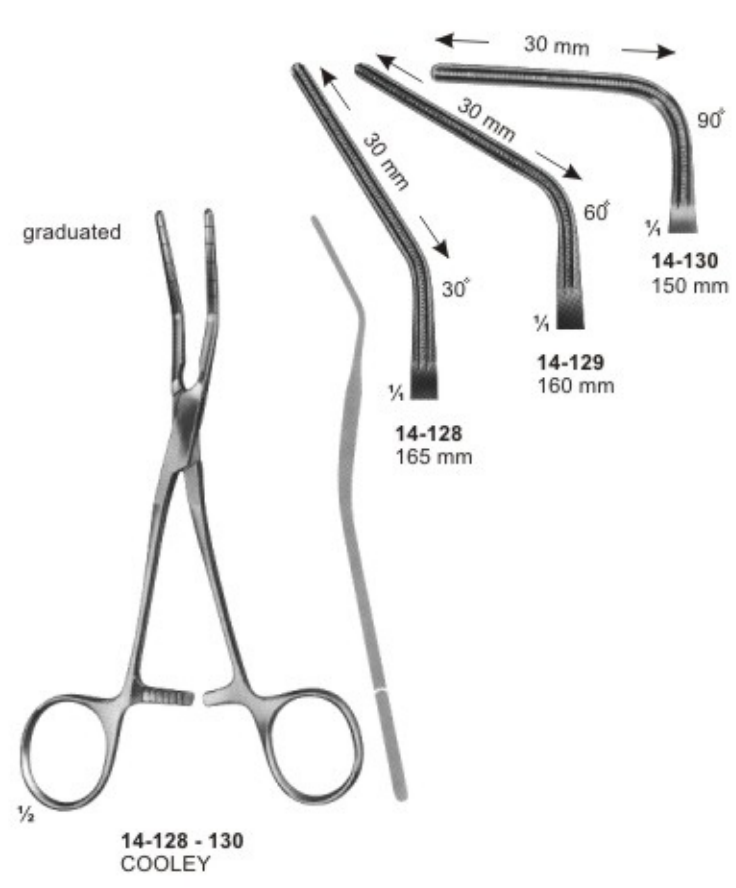
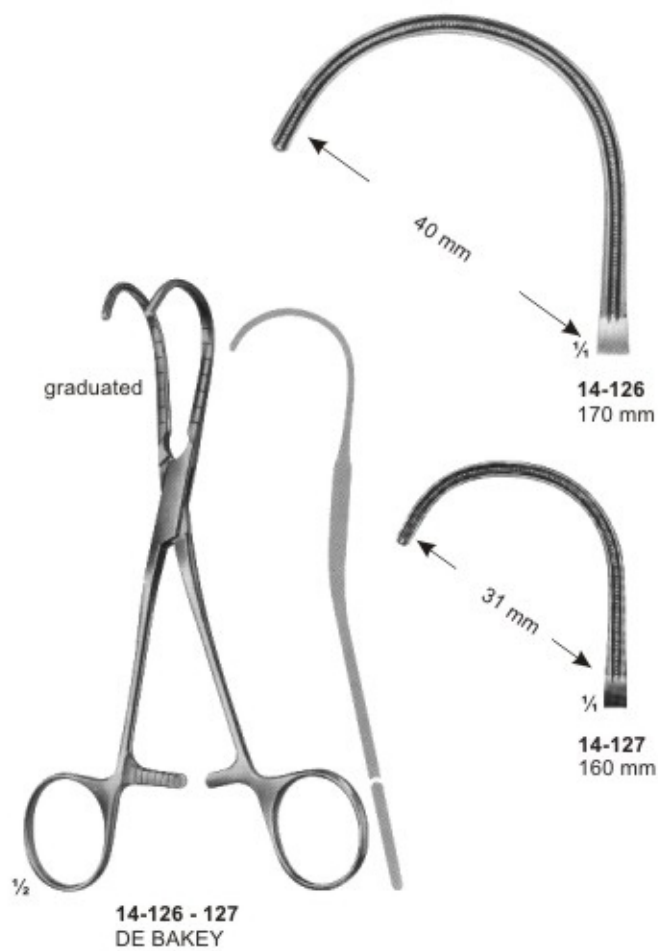
**Forceps  
Pinzetten**



# ATRAUMATA

## Anastomosis- and Multi- Purpose- Clamps- Pediatric types

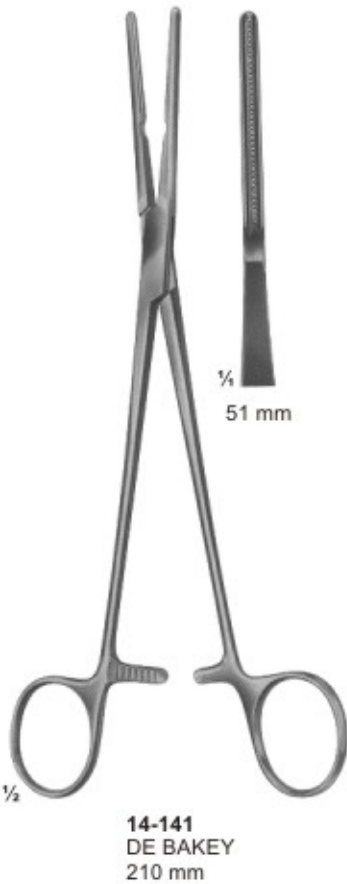
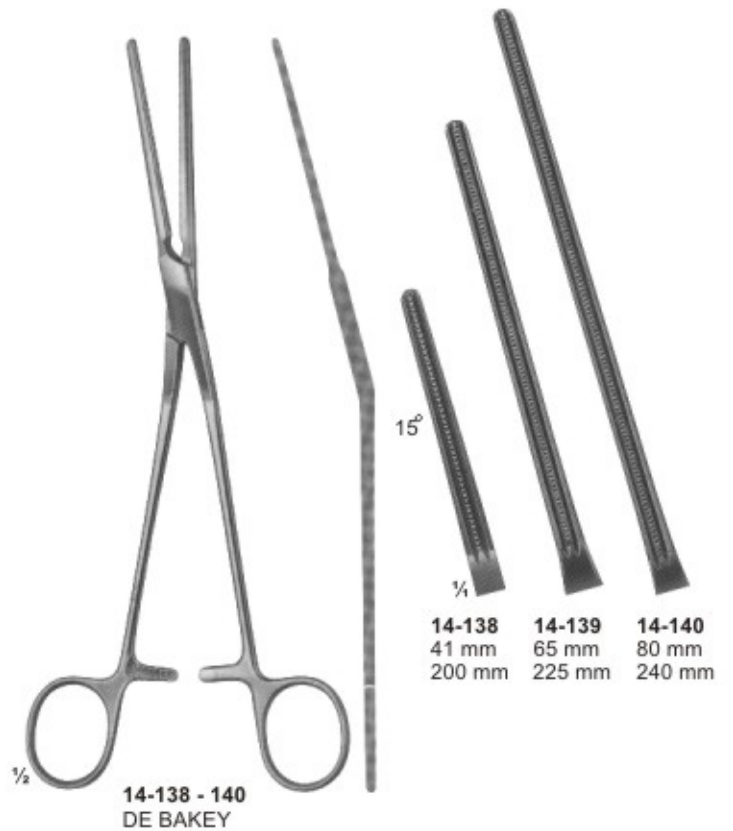
## Anastomosen- und Mehrzweckklemmen- Kinder- Modelle



**ATRAUMATA**

**Coarctation Clamps, Patent-Ductus & Peripheral-Vascular Clamps**

**Coarctationsklemmen, Patent-Ductus und Peripheralklemmen**



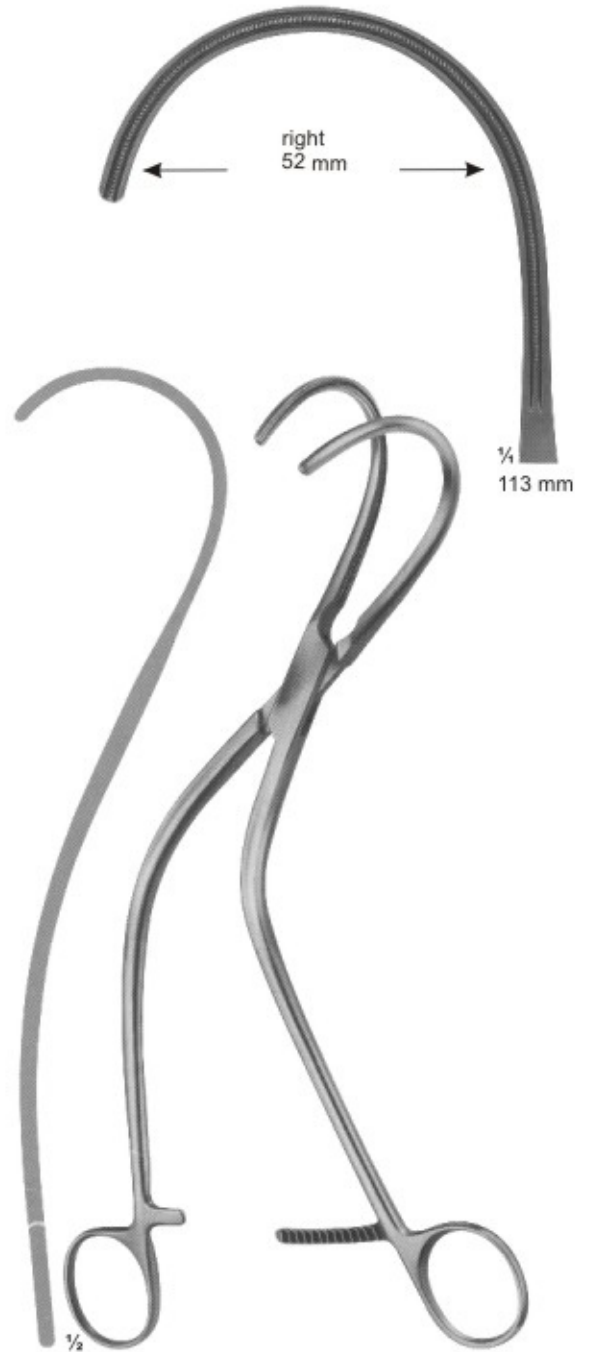
# Aorta- Anastomosis Clamps

## Aorta- Anastomosenklemmen

---



**L**  
**14-144**  
**WEBER**  
260 mm

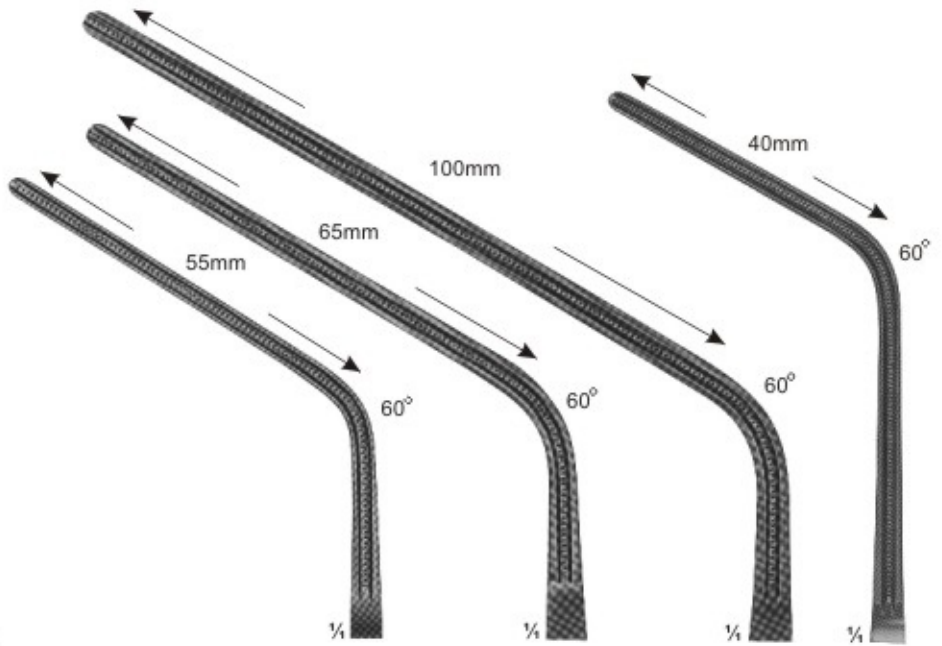


**R**  
**14-145**  
**WEBER**  
260 mm

# Multi- Purpose-Clamps Mehrzweckklemmen



14-146 - 149  
DE BAKEY



14-146

14-147

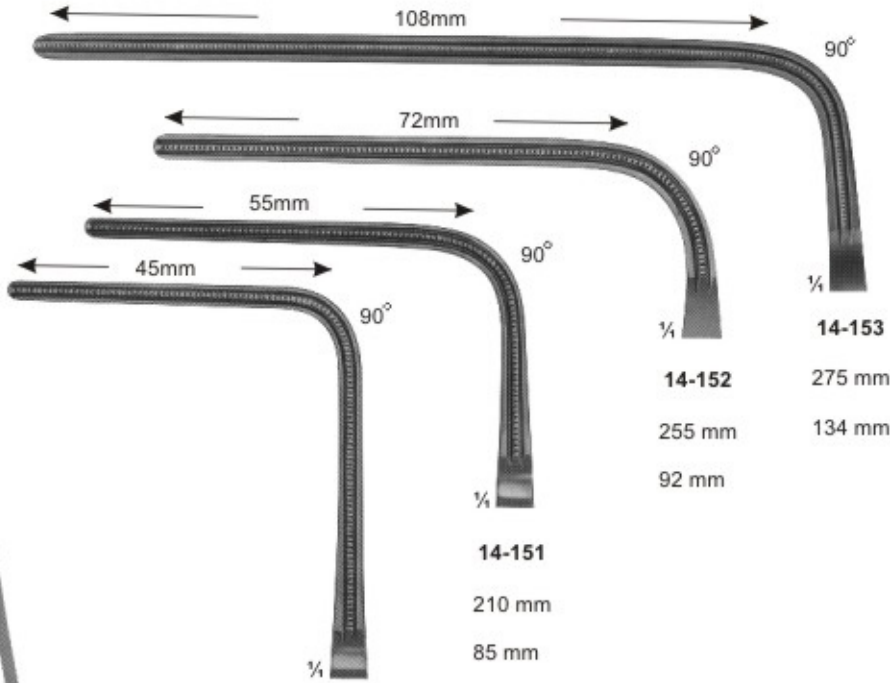
14-148

14-149

Total Length:	230 mm	280 mm	305 mm	240 mm
Length of jaws:	85 mm	100 mm	135 mm	93 mm



14-150 - 153  
DE BAKEY



14-150

14-151

14-152

14-153

Total Length:	225 mm
Length of jaws:	93 mm

275 mm
134 mm
92 mm

# Sternum Instruments and Rib Shears

## Sternum Instrumente und Rippenscheren

---



14-154  
SCHUMACHER  
Sternum shears  
210 mm



14-155  
LEBSCHÉ  
Sternum chisel  
200 mm



14-156  
230 mm



14-157  
COLLIN  
195 mm



14-158  
GLUCK  
190 mm



14-159  
BETHUNE  
340 mm



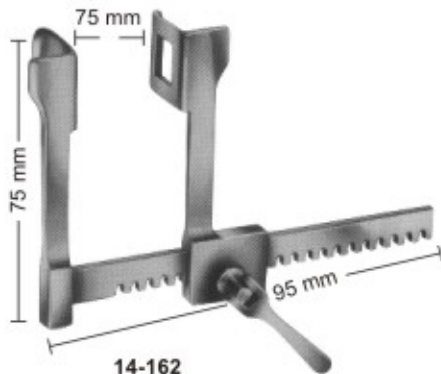
14-160  
BRUNNER  
Universal pattern  
340 mm



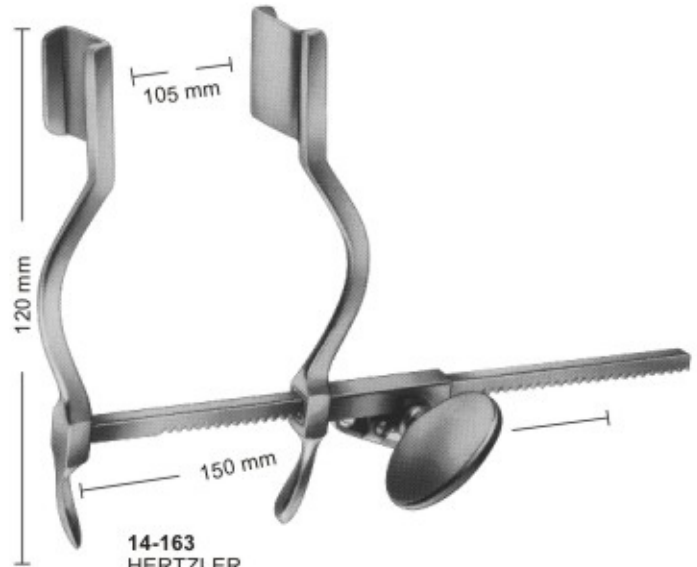
14-161  
GIERTZ-STILLÉ  
250 mm

# Rib Spreaders Rippensperrer

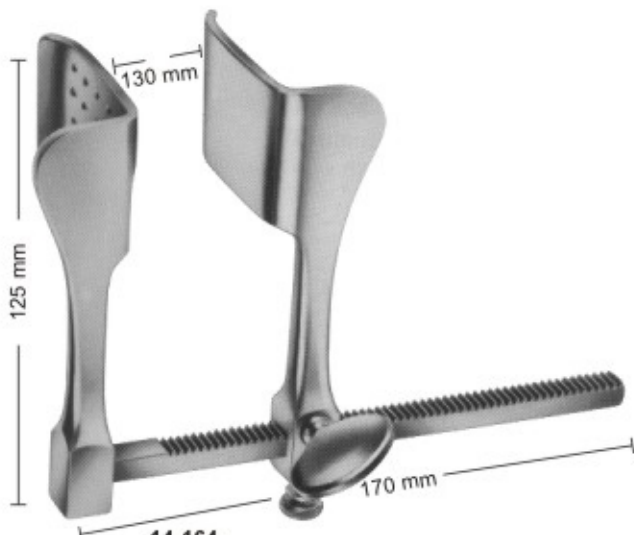
---



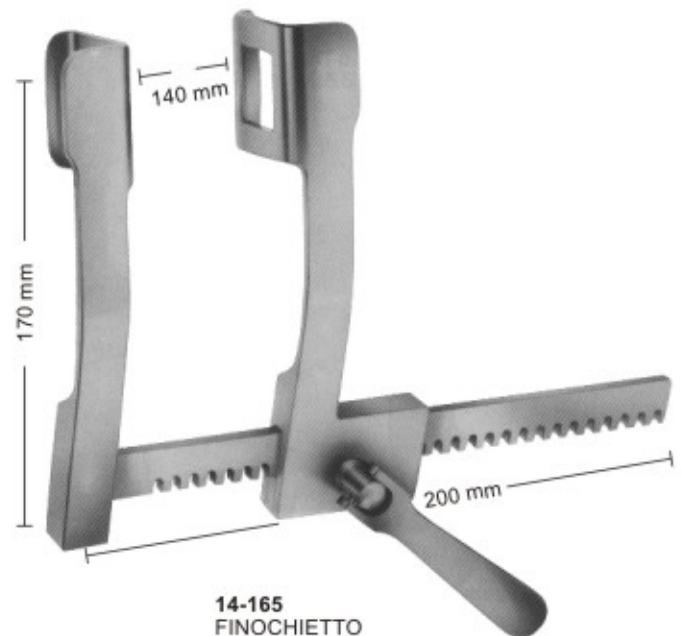
**14-162**  
FINOCHIETTO  
Blades  
18X21 mm



**14-163**  
HERTZLER  
Blades  
20X25 mm



**14-164**  
TUFFIER  
Blades  
43X53 mm



**14-165**  
FINOCHIETTO  
Blades  
36X45 mm



# Rib Spreaders-and Contractors Rippensperrer und - Kontraktoren

---



**14-166**  
**SELLORS**  
Rib spreader-and contractor  
with swivel blades  
200 mm



**14-167**  
**BAILEY**  
150 mm



**14-168**  
for children

**14-169**  
for adults

**14-168 - 169**  
**BAILEY**  
200 mm